

PRODUCT DATA SHEET

CLA BLUESUB10 • 808366



BRAND



PRODUCT DETAILS

The BlueSub10 is a rugged and durable drainage pump designed for use in the construction industry to shift water containing abrasive materials from low lying areas. From the industrial grade coating to the impact resistant Urethane strainer, BlueSub is designed to withstand the knocks when de-watering construction sites, pits, storm water, basements and other low lying areas.

BENEFITS

- The urethane coated impeller is fitted with an agitator to break up clumps of abrasive material
- With a replaceable float and a knock resistant urethane strainer and BlueSub will withstand the realities of every-day use.

FEATURES

- Automatic Operation
- Quality pump materials and construction to resist abrasive particles
- Industrial grade coating
- 10m H07RN-F Neoprene power lead and float lead

Also available:

BIA-LAYFLATKIT 707755

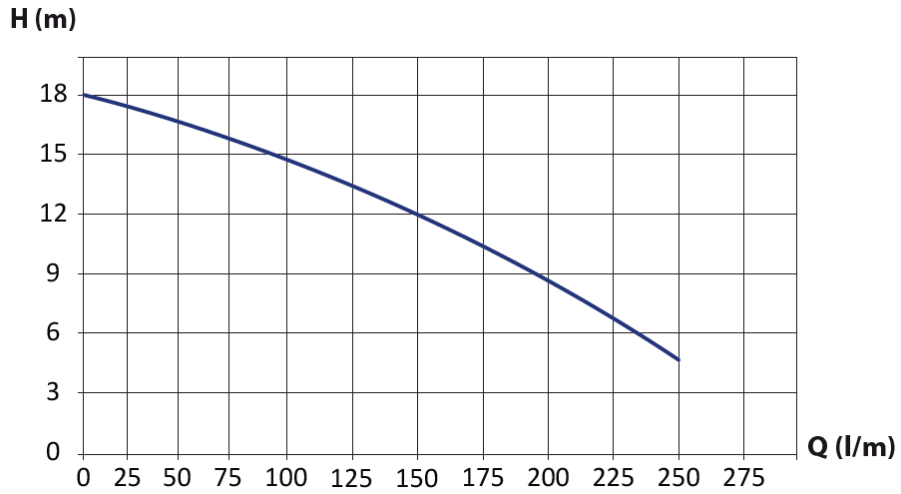
2" lay-flat hose with camlock connector, 20m long

TECHNICAL DATA

RATED POWER (W)	750W
MAX. FLOW [LPM]	250 lpm
MAX. HEAD [M]	18m
WORKING TEMPERATURE	< 40°C
LIQUID TEMPERATURE	2°C - 35°C
MAX. IMMERSION DEPTH	5m
MAX. DIA. OF PARTICLE	10 x 25mm
MOTOR DUTY	S1 Continuous
MOTOR PROTECTION LEVEL	Class F
MOTOR PROTECTION	In-built auto re-setting thermal overload
CAPACITOR	25 uF +/-5% 450V
MOTOR SHAFT	Stainless Steel 403

RATED VOLTAGE	220V-240V 50 Hz
RATED CURRENT	5.6A @ 230V
POWER CABLE TYPE	10m H07RN-F
PROTECTION CLASS	IP68
IMPELLERS	Single Urethane Coated Impeller
HYDRAULIC BODY	Cast Iron
INLET STRAINER	Urethane
OUTLET	3" bushed to 2" DN hose tail
MECHANICAL SEALS	Dual seals in oil bath
AUTOMATION FUNCTION	Yes via Flexible Float Switch
NET WEIGHT (KG)	Pump only 19.2 kg
PACKAGE DIMENSION	330Lx200Wx465H (mm)

HYDRAULIC PERFORMANCE



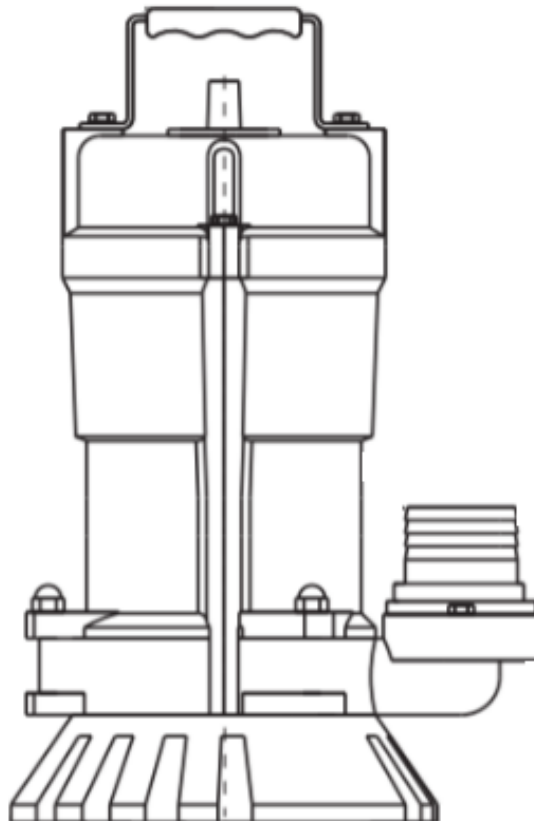
DIMENSIONS

DIMENSIONS

415 mm high

OUTLET

2" DN Hose Tail



BASE DIAMETER

Dia 98 mm, 312 total width

WARRANTY / CERTIFICATIONS

